

# LEGACY™

STYLE LINED COVER



TRUCK CAPS & LIDS



**STYLISH TONNEAU COVER  
WITH EZ PUSH LOCK.**



The Ranch Legacy is our impressive style lined fiberglass lid. This painted fiberglass cover has extra styling to catch your eye. The style lines in the mold are consistent regardless of your truck.

## STANDARD FEATURES

- 1200lb Tested Rotary Latches
- Lift Assist Arms
- Front Piano Hinge
- EZ Push Logo Lock
- Tri-Cel Honeycomb Reinforced Roof
- Axalta Automotive Paint
- Trimless Skirted Edges
- Wrap Over Side and Rear Edges
- Exterior Style Line
- TiO2 Mixed Whitening Resin Solution
- Black Powder Coated Hardware
- Interior pull Strap
- No Drill Installation
- Limited Lifetime Paint/Structure Warranty

## OPTIONAL FEATURES

- Remote Keyless Entry
- Roof Rack Systems
- Interior Fabric Headliner
- Interior Clothes Hanger
- Interior Fishing Rod Holder
- Cargo Net
- Painted LED Wing
- 12V LED Dome Light / Battery LED Dome Light
- Access® Strip Light

# SPORTWRAP™

SMOOTH TOP COVER



TRUCK CAPS & LIDS



**SLEEK PROFILE LID WITH  
EXCEPTIONAL QUALITY**



The Ranch SportWrap is our smooth top fiberglass lid. This painted fiberglass cover has a lower profile look that is sure to impress. This sleek fitting tonneau cover also offers skirted, trimless, finished edges to improve the overall function and style of the lid.

## STANDARD FEATURES

- 1200lb Tested Rotary Latches
- Lift Assist Arms
- Front Piano Hinge
- EZ Push Logo Lock
- Tri-Cel Honeycomb Reinforced Roof
- Axalta Automotive Paint
- Trimless Skirted Edges
- Wrap Over Side and Rear Edges
- Low Profile Smooth Top
- TiO2 Mixed Whitening Resin Solution
- Black Powder Coated Hardware
- Interior pull Strap
- No Drill Installation
- Limited Lifetime Paint/Structure Warranty

## OPTIONAL FEATURES

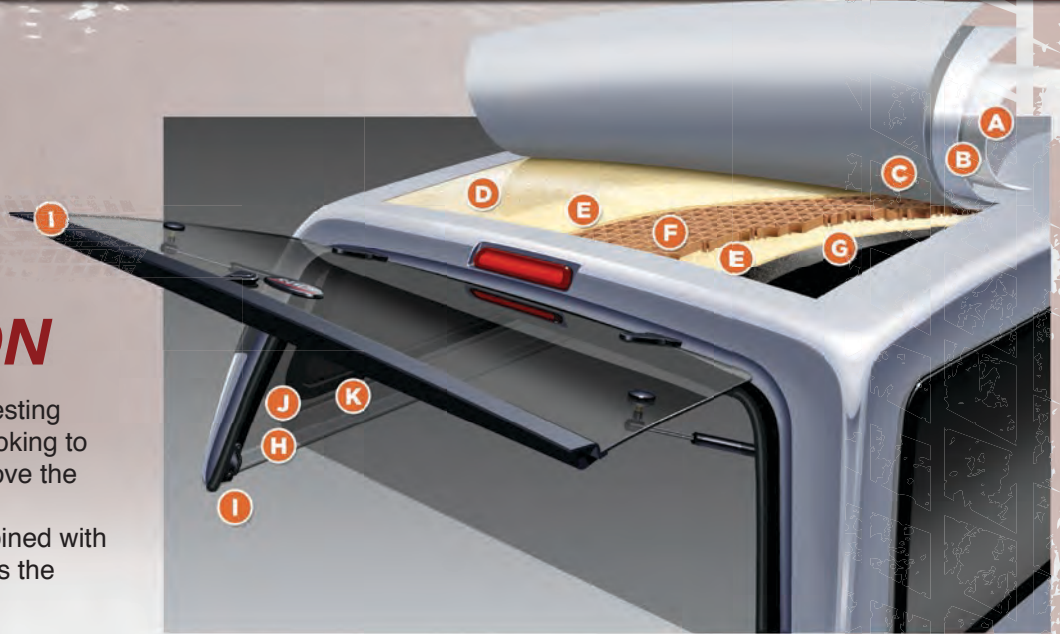
- Remote Keyless Entry
- Roof Rack Systems
- Interior Fabric Headliner
- Interior Clothes Hanger
- Interior Fishing Rod Holder
- Cargo Net
- Painted LED Wing
- 12V LED Dome Light / Battery LED Dome Light
- Access® Strip Light



TRUCK CAPS & LIDS

# CAP CONSTRUCTION

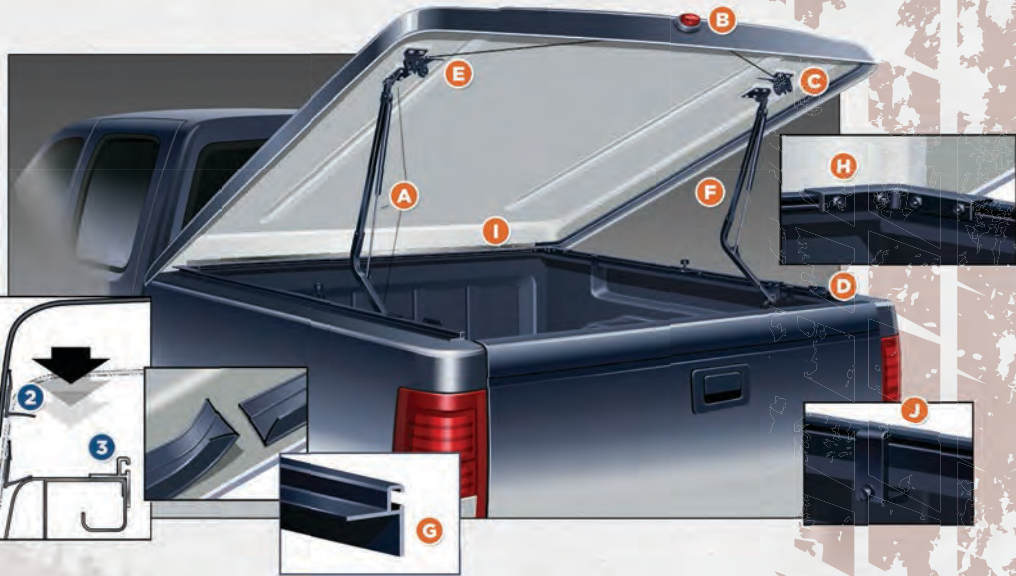
It seems most of our customers are investing in a truck cap or lid because they are looking to enhance the **STYLE** of their truck, improve the **SEAL**, or add **SECURITY**. With our focus on **Style, Seal, and Security** combined with a solid structure, you'll see why Ranch is the perfect fit for you.



- A. Axalta Low Haps Clear Coat**
  - Environmentally Friendly
  - Gloss Finish
- B. Axalta Automotive Base Coat Paint**
  - High Tech Paint Booth
  - Great Look and Finish
- C. GEL Coat**
  - Sandable Paintable Surface
- D. PreSpray Layer of Ranch's Custom Resin Matrix**
  - The Right Mixture for Strength and Appearance
- E. Fiberglass Chop with Ranch's Custom Resin Matrix**
  - Extremely Strong Fiberglass Approx. 156 mills thick
- F. Tri-Cel Honeycomb Reinforced Roof**
  - Increases Strength of Roof 10X
- G. Post Spray Low Fill Resin with TiO2 Whitener**
  - Strong/Smooth/White Interior
- H. Solid Fiberglass Base Rail**
  - Fiberglassed to Cap, Not Glued
  - Extremely Strong
- I. Black Powder Coated Hardware**
  - Prevents Corrosion and Rust
- J. U-Glaze Window with foam Seal**
  - Better Compression on Seals
  - Long Lasting Shape and Conforming
- K. Drain Channel with Weep Hole**
  - Designed to drain any water trapped by frame

# LID CONSTRUCTION

Fiberglass construction is identical to A-G outlined on the Cap Construction Diagram



## TRIPLE SEAL SYSTEM

- 1. Fiberglass "Wrap Over" Edges**
  - Water must come up to get in Trimless "automotive style" edge
- 2. Rubber "L" Style Weather Seal**
  - Seal from fiberglass wrap to truck bed
- 3. Aluminum "T" Frame**
  - Acts as an interior gutter

- L. Black Powder Coated Hardware**
  - Prevents Corrosion and Rust
- M. Standard Logo Lock**
  - "Easy-push style" lock that is durable and simple to use
  - Painted Base to match your lid
- N. Rotary Latches**
  - 1200lb Tested and Secured to aluminum plate molded into the lid
- O. "D" Ring Brackets (for rotaries)**
  - Limits Side to Side motion at the rear of the lid
- P. Steel Cables and Crimps**
  - Strong non-stretch steel cables Crimped ends prevent cables from coming out of adjustment
- Q. Easy Lift Assisted Gas Struts**
  - Relieves unnecessary pressure on props and hinges
  - Makes the lid easier to open and close
- R. "T" Frame with Slide Track**
  - Stronger than flat or sectional frames
  - Easy sliding adjustments for hardware and clamps in track
- S. Adjustable Front Corner Brackets**
  - "L" Shaped bracket wraps the top of the frame to keep level
  - Easily adjustable to widen or shorten front frame for a more custom fit
- T. Front Piano Hinge**
  - Eliminates unnecessary motion or looseness at the front of the lid
  - Extremely strong, long lasting bond between the frame and the lid
- U. Integrated Ranch Custom Clamps (optional)**
  - Utilizes the Slide Track to secure the lid to the bed Low Profile, nonintrusive design

# LID OPTIONS



ProRac Work Rack



ProRac Glider



Painted LED Wing



Access® Strip Light



Push Lock



LED Battery Dome Light



12V LED Interior Dome Light



Fishing Rod Holders



Cargo Net



Interior Fabric Headliner



Remote Keyless Entry

**RANCH FIBERGLAS INC.  
IS AN AUTHORIZED  
BEDSLIDE DISTRIBUTOR**



**BEDSLIDE**   
by **TAKO**